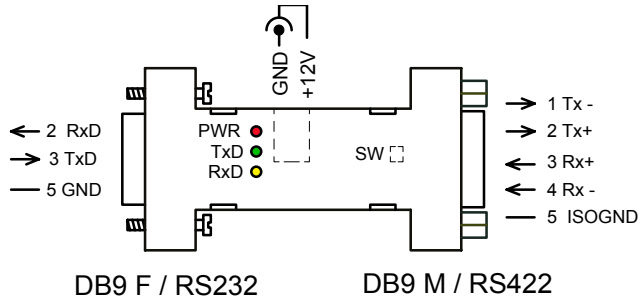
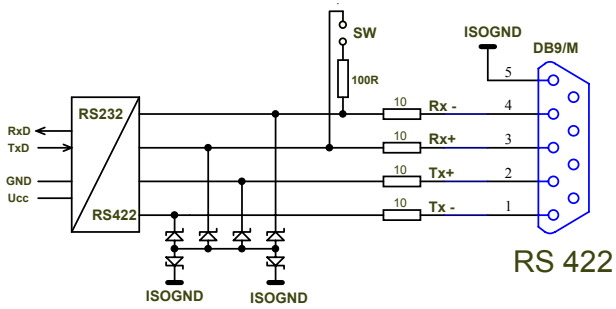


LAYOUT



SW **OFF** - terminator disconnected
 ON - terminator connected

LINE CONFIGURATION – RS422



WARRANTY CONDITIONS

ComErgon provides full warranty of 12 month for serial interface module MINI 2.4/422 starting on the day of purchase.

The warranty is except for the cases in which the functioning of the module has been affected by faulty manipulation, natural catastrophes or other external factors.

MINI 2.4/422

isolated converter

RS 232 - RS 422

TECHNICAL DATA

<p>transfer mode</p> <p>max. transfer rate</p> <p>supported signals</p> <p>max. recommended line length</p> <p>galvanical isolation</p> <p>selectable terminator</p> <p>connector RS 232</p> <p>connector RS 422</p> <p>connector power supply</p> <p>optical indication</p> <p>overvoltage (soft) protection - RS422</p> <p>overvoltage (soft) protection - supply</p> <p>power supply</p> <p>power consumption</p> <p>dimension</p>	<p>RS422 - full duplex</p> <p>460 kb/s</p> <p>RxD, TxD</p> <p>1 200 m</p> <p>1 kV</p> <p>100 Ω</p> <p>D-SUB 9 pin F</p> <p>D-SUB 9 pin M</p> <p>plug 1.3mm</p> <p>RxD, TxD, PWR</p> <p>300W/8μs</p> <p>600W/10μs</p> <p>+12V DC ±10%</p> <p>max 1W</p> <p>63 x 17 x 34 mm</p>
------------------------------------------------------------------------------------------------------------------------------------------------------------------------------------------------------------------------------------------------------------------------------------------------------------------------------------------------------------------------------------------------------------------------------------------------------------------------------------------------------------------------------------------------	-------------------------------------------------------------------------------------------------------------------------------------------------------------------------------------------------------------------------------------------------------------------------------